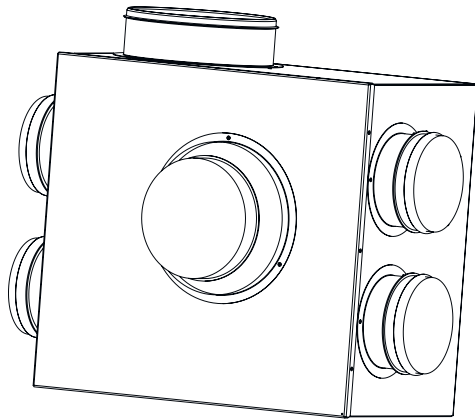


1230
USER MANUAL



SILVERLINE

MANUFACTURER

Merzifon OSB AMASYA, Silverline

IMPORTER

Jilmas Group Nordic ApS Eli Christensens Vej 90, 7430 Ikast Denmark

Telephone: +45 70104014

Fax: +45 70131389

Internet: www.silverline.dk

E-mail: info@silverline.dk

1, en_US

Table of contents

1	INPUT	4
2	Technical Drawing	5
3	WARNING AND SAFETY PRECAUTIONS	6
	3.1 LETHAL RISK, DANGER OF POISONING.....	7
	3.2 Exhaust Air Mode.....	10
	3.3 Air Discharge Line.....	10
	3.4 Electrical Connection.....	10
4	CLEANING AND PREVENTIVE MAINTENANCE	11
5	CONTENT OF PACKAGE	12
6	OVERVIEW OF hood	13
7	Installation and Unpacking of the Appliance	14
8	ASSEMBLY OF PRODUCT	15
9	TECHNICAL TABLE	17

1 INPUT

This guideline and the safety data includes all necessary information for a safe mounting as well as a safe use without defects.

- Please read all of this guideline and safety data before using the device.
- Keep the guideline in an appropriate place.
- If you pass the device onto others, make sure you also give this guideline and safety data.
- Disregarding this guideline may result in severe injuries and defects in the device.
- Please keep in mind that we won't be responsible for the defects arising from not taking this guideline into account.

The figures in this guideline aim to visually describe the actions. In these figures only one model of the device is illustrated. However, all instructions or figures also represent other models.

2 Technical Drawing

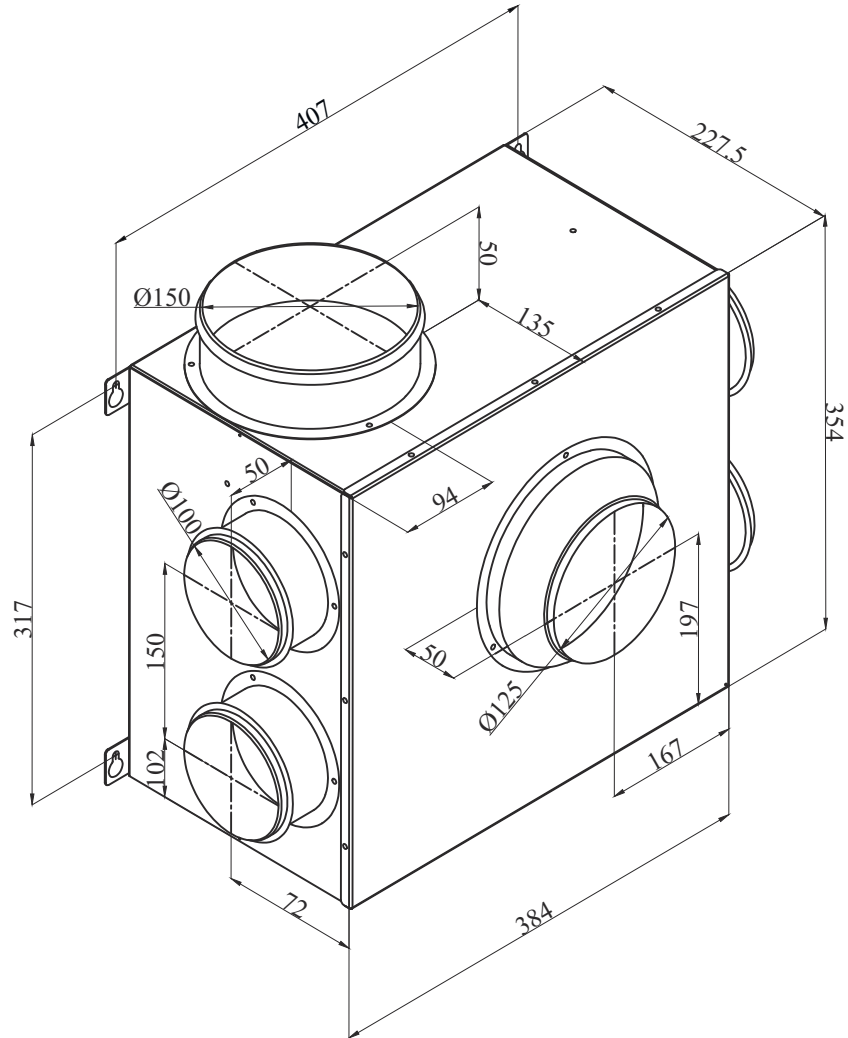


Fig. 1

3 WARNING AND SAFETY PRECAUTIONS

WARNING AND SAFETY PRECAUTIONS

- This appliance can be used by children of 8 years and older, people with physical, sensory or mental capability deficiency or people with lack of experience or knowledge; as long as they are provided supervision or instructions for the safe use of the appliance and they comprehend the dangers.
- This product is designed for home use.
- Operating voltage of your product is 220-240 Volt~50 - 60 Hz.
- Power cord of your product is fitted with a grounded plug. This cord must be plugged into a grounded outlet.
- The whole electrical wiring must be installed by a qualified electrician.
- Installation by unauthorized persons could lead to poor operation performance, damage to the product, and accidents.
- Do not expose the supply cable of the appliance to jamming or crashing during assembly. Do not place the supply cable near the cooker. Otherwise, it might melt down and lead to a fire.
- Do not plug in the appliance before the installation.
- External motor unit is intended for household use in normal home cooking. There is a risk of malfunction in other types of use, and the warranty of the product will be void
- Since oils could catch fire when you cook fried foods in particular, be careful about your curtains and tablecloths.
- In case of any fire, de-energize the hood and any other cooking appliances. (Plug off the appliance or turn off the main switch).
- If your product's periodic cleaning is not made in a timely manner, it could pose risk of fire.
- De-energize the appliance before any maintenance operations. (Plug off the appliance or turn off the main switch.)
- When electric cooker hood and the appliances supplied with power other than electricity operate simultaneously, the negative pressure in the room shall not exceed 4 Pa (4 X 10 bar).
- Gas or fuel oil burning appliances, such as room heaters, which share the same environment with your product, must be fully insulated from the exhaust of this product or they must be hermetical.
- The length of the pipe connection as well as the number of elbows must be as minimum as possible.
- Children must not play with the appliance.
- For your safety, use "MAX 6 A" fuse in the hood system.
- Since the packing materials could be dangerous, keep them away from children.
- If the feeder cable is damaged, it must be replaced by its manufacturer or its authorized technical service or any other personnel qualified at the same level, in order to avoid any dangerous situation.
- When cooking appliances are in operation, their accessible parts could be hot.
- This appliance is not intended to be used by people with physical, sensory and mental disabilities (including children) or those who have not adequate experience and knowledge regarding its use, unless they are under the supervision of a person responsible for the safety of the appliance.

- Output of the hood must not be connected to air ducts, where there exist another smokes.
- You must be careful when using the appliance spontaneously with other appliances (e.g. gas, diesel fuels, coal, wood, etc. burning heaters, shower heaters), which use the same air in the same environment Attention must be paid when using them simultaneously. It is because the hood could adversely affect the combustion, by discharging the ambient air.
- When electric cooker hood is used simultaneously with appliances that use gas or other fuels, there must be sufficient ventilation in the room (might not apply to appliances that discharges the air back into the room)
- Operating multiple gas cookers simultaneously creates high heat. A ventilation appliance placed over the cookers can be damaged or burned for this reason.
- Never operate two gas cookers longer than 15 minutes on high flame setting. A large burner over 5kW (Wok) has the power of two gas burners.

3.1 LETHAL RISK, DANGER OF POISONING



DANGER!

Warning - Death Hazard

There are life-threatening danger and poisoning danger due to reabsorbed combustion gases. During the air discharge outlet use, unless sufficient air supply is provided, do not use the appliance simultaneously with appliances that discharge toxic gases through flue such as ventilated, gas, oil, wood or coal burning heaters, shower heaters, water heaters, etc.

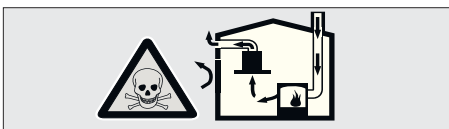


Fig. 2: Poisoning Danger

Ventilated goods (e.g. gas, oil, wood or coal burning heaters, shower heaters, water heaters) take combustion air from the installation location, and discharge the waste gas through a waste gas system (e.g. flue). When the cooker hood is active, it absorbs air from the kitchen and neighbouring rooms. If adequate air entry is not provided, vacuum emerges. In such a case, the toxic gases are absorbed from the flue and waste gas channel, and are taken into the room again ().

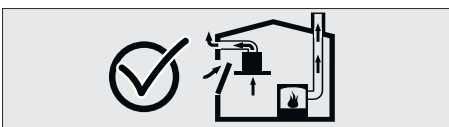


Fig. 3

Therefore, adequate fresh air ingress shall always be ensured ().



WARNING!

Fire danger!

- There is risk of damage due to ingress of moisture in the electronics. Do not clean the control components with a wet cloth.

**WARNING!****Dangers of fire and physical injury!**

In case of repairing that is not performed according to the rules or as required, turn off the fuse or unplug the feeder cable of your appliance. Repairing must be performed only by the authorized technical service or authorized professionals.

**WARNING!****Electrocution hazard!**

- A malfunctioning appliance may cause electric shock. Never turn on a malfunctioning appliance. Pull the power plug and switch off the circuit breaker. Call customer service.
- Unsuitable repairs pose hazards. Repairs and replacement of damaged power cords must be performed only by a customer services technician trained by us. If the appliance is malfunctioning pull the power plug and switch off the circuit breaker in the fuse box. Call customer service.
- Water leaking into the appliance may cause electric shock. High pressure or steam cleaners must not be used.

**DANGER!****Danger of physical injury!**

- During the installation, there is a danger of physical injury due to the sharp edges. Use protective gloves throughout the installation process of the appliance.
- Due to risk of dropping the appliance, assembly of all safety bolts and covers must be performed as specified in the user manual.

**WARNING!****Risk of burn, risk of electric shock!**

- Allow the appliance to cool before cleaning or maintenance process. Switch off the fuse or pull out the mains plug from the socket.
- There is risk of damage due to ingress of moisture in the electronics. Do not clean the control components with a wet cloth.
- The surface could be damaged due to a wrong cleaning process. Clean stainless steel surfaces only in their brushing direction. Do not use a stainless steel cleaner for the control elements.
- The surface could be damaged due to aggressive and abrasive cleaning agents. Never use aggressive and abrasive cleaning agents.

**WARNING!****Dangers of fire and physical injury!**

In case of repairing that is not performed according to the rules or as required, turn off the fuse or unplug the feeder cable of your appliance. Repairing must be performed only by the authorized technical service or authorized professionals.

**NOTICE!**

If the appliance is faulty or damages, turn off the fuse or unplug the feeder cable of your appliance and call the authorized service.

**NOTICE!**

If the feeder cable is damaged, it must be replaced by its manufacturer or its authorized technical service or any other personnel qualified at the same level, in order to avoid any dangerous situation.

**NOTICE!**

When the bulbs of the appliance malfunction, switch off the circuit breaker and unplug the appliance's power plug from the socket. Replace the defective bulbs immediately (leave bulbs to cool down first), in order to protect the remaining bulbs against overloading.

**CAUTION!**

Accessible components might be heated when used with cooking appliances.

**DANGER!**

Air outlet pipe of this appliance mustn't be connected in the flue used to discharge the fume generated by appliances that use gas or other fuels.

3.2 Exhaust Air Mode

Exhaust air must not be transferred to an active smoke or waste gas flue; or a flue used for ventilation of the places, where heat sources are installed.

If you want to transfer exhaust air to an inactive smoke or waste gas flue, you need to obtain permission from an authorized chimney sweep.

3.3 Air Discharge Line

If possible use the air discharge hose as straight as possible.

The breaks on the air discharge hose may cause inefficient operation and decrease the performance.

3.4 Electrical Connection

**WARNING!****Electrocution hazard!**

- The edges of the components of the appliance may be sharp. Connection cord may be damaged. Do not bend or pinch the connection cord during installation.
- The edges of the components of the appliance may be sharp. Connection cord may be damaged. Do not bend or pinch the connection cord during installation.

Length of connection line: approx. 8.0 m

4 CLEANING AND PREVENTIVE MAINTENANCE

**CAUTION!**

Cleaning and user maintenance of the appliance shall not be performed by unattended children.

- Prior to each maintenance and cleaning operation, appliance must be unplugged, and it shall not carry any current.
- The surface could be damaged due to aggressive and abrasive cleaning agents. Never use aggressive and abrasive cleaning agents. Supply your cleaning and protective substances that are appropriate for your appliance from the authorized technical service. Surface of appliance and control units are sensitive to scratching.
- Clean the surfaces with a soft and damp cloth, dish-washing liquid or mild glass cleaning agent. Soften the dry, sticky dirt with a damp cloth. Do not scrape!
- It is not appropriate to use dry cloths, sponges that may scratch, materials that require rubbing, and other aggressive cleaning agents containing sand, soda, acid or chlorine.
- Clean the stainless steel surfaces in their brushing direction only.
- Do not use excessively effective, acidic or alkaline cleaning agents.
- Do not apply spray cleaning supplies directly to the product.
-

5 CONTENT OF PACKAGE

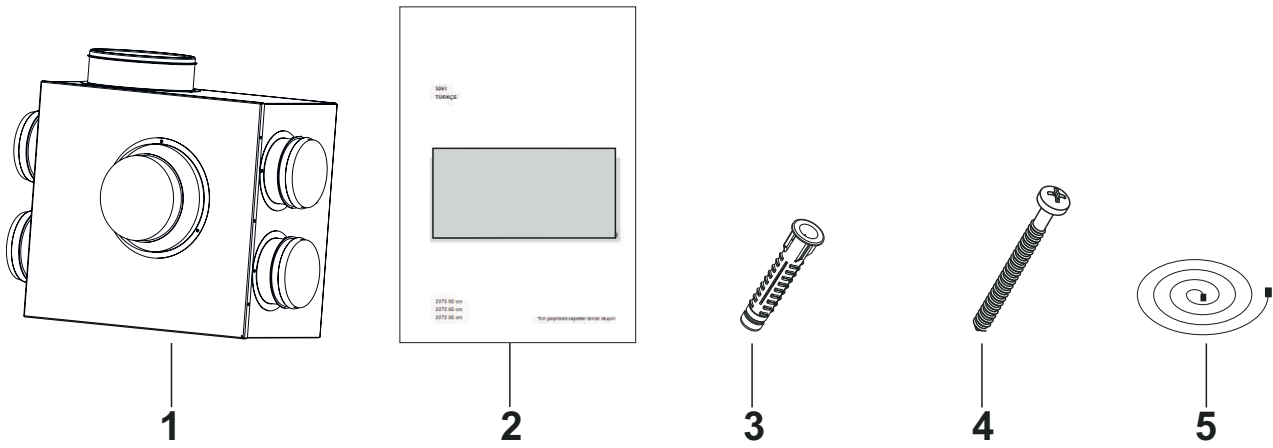


Fig. 4

- 1 - Product
- 2 - User Manual
- 3 - Ø10mm Plastic Dowel
- 4 - 5.5x60 Wall Mount Screw
- 5 - 8 m Connection Cable

6 OVERVIEW OF hood

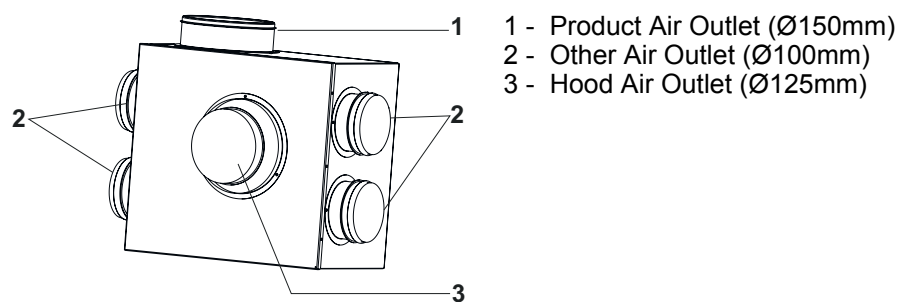


Fig. 5

7 Installation and Unpacking of the Appliance

- Check that your appliance is not deformed.
- Report the transport issues immediately to transport operator.
- Any faults encountered shall be reported to the dealer, too.
- Do not allow children to play the with packaging materials!

8 ASSEMBLY OF PRODUCT

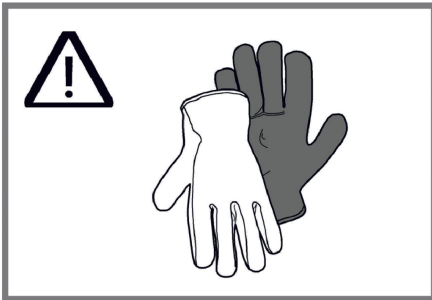


Fig. 6

- Parts inside the device may have sharp edges. Use protective gloves ().



CAUTION!

- The surface that the device will be mounted on should be resistant to 90°C temperature.
- The durability of the surface that will be mounted on should also be ensured after the cutting/drilling operations have been completed.
- Particularly in thin plates the carrying capacity and durability should be provided with suitable support parts. Consider the weight of the device by including additional loads. The reinforcing material used should be heat and moisture resistant. The weight of the device is specified in the label on the package.
- Clean the sawdust after cutting/drilling. Cover the cut surfaces so that they are heat resistant and waterproof.

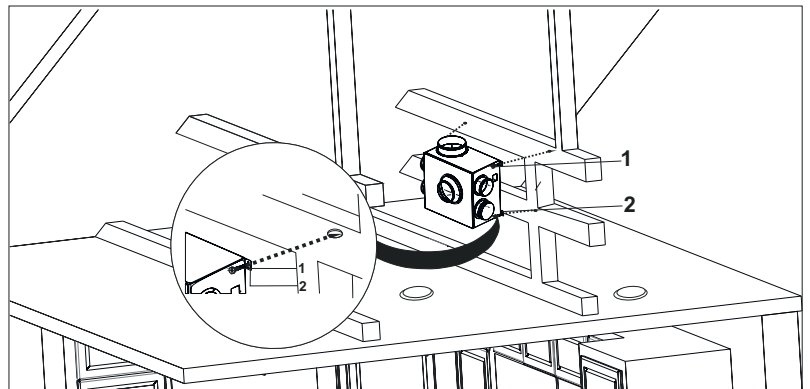


Fig. 7

- 1 - 5.5x60 Wall Mount Screw
- 2 - Hanger Plate

1. → Install the motor box to the frame with 4 pcs. of 5.5X60 wall mount screws from the hanger plates.

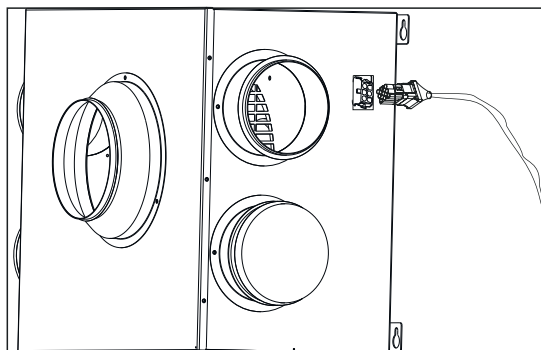


Fig. 8

- 2.** ➤ Perform the cable connection after the installation.

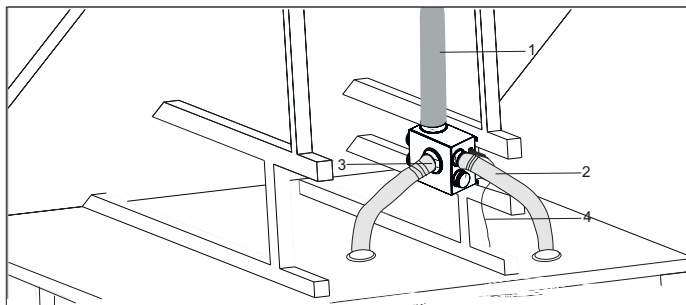


Fig. 9

- 1 - Air Outlet Pipe of the Appliance
- 2 - Room Air Discharge Pipe
- 3 - Kitchen Air Discharge Pipe
- 4 - Connection Cable

- 3.** ➤ After installing the motor box to the frame, install the air discharge pipes to the motor box.

An air outlet for hood (Ø125mm) and four air outlets for other intended uses (Ø100mm) are available on the motor box. Remove the cover on the air outlet that you want to use and install the air discharge pipe.

9 TECHNICAL TABLE

Supply Voltage	220 - 240 V 50Hz
Insulation Class of Motor	F
Insulation Class	CLASS I



This product complies with the 2014/30/EC (Regulation on Electromagnetic Compliance) and 2014/35/EC (Regulation on Low Voltage Devices (LVD)) Directives.



This device complies with the Directive on the Control of Waste Electrical and Electronic Equipment.

Specifications of the device and this manual may be modified without prior notification.