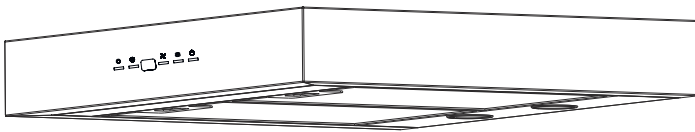


Assembly instructions



SILVERLINE

SCV 1160-50 RF HERMOD
SCV 1160-50 HV HERMOD
SCV 1160-70 RF HERMOD
SCV 1160-70 HV HERMOD

Read this manual carefully before installation / commissioning

MANUFACTURER

Merzifon OSB AMASYA, Silverline

IMPORT

Jilmas Group Nordic ApS Eli Christensens Vej 90, 7430 Ikast Denmark

Telephone: +45 70104014

Fax: +45 70131389

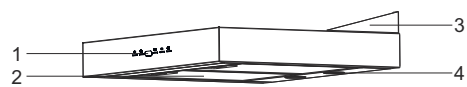
Internet: www.silverline.dk

1, en_US

Table of contents

1	Product overview	4
2	Technical drawing	5
3	WARNINGS AND SAFETY PRECAUTIONS	7
4	DANGER TO LIFE & RISK OF POISONING	9
5	CLEANING AND MAINTENANCE	11
6	The content of the package	13
7	Assembly / Installation of the product	14
	7.1 Height (recommended).....	14
8	Installation of hood	15
	8.1 Connection of central ventilation.....	15
9	Klemens Bağlantısı	16
10	Adjustment of air flow	17
11	How to operate the product	23
12	Hints	26
13	Replacement of GU10 light source	27
14	Service, fault symptoms and solutions	28
	14.1 Technical table.....	29

1 Product overview



- 1- Control Panel
- 2- Filter
- 3- Mounting plate
- 4- Lighting

Fig. 1

2 Technical drawing

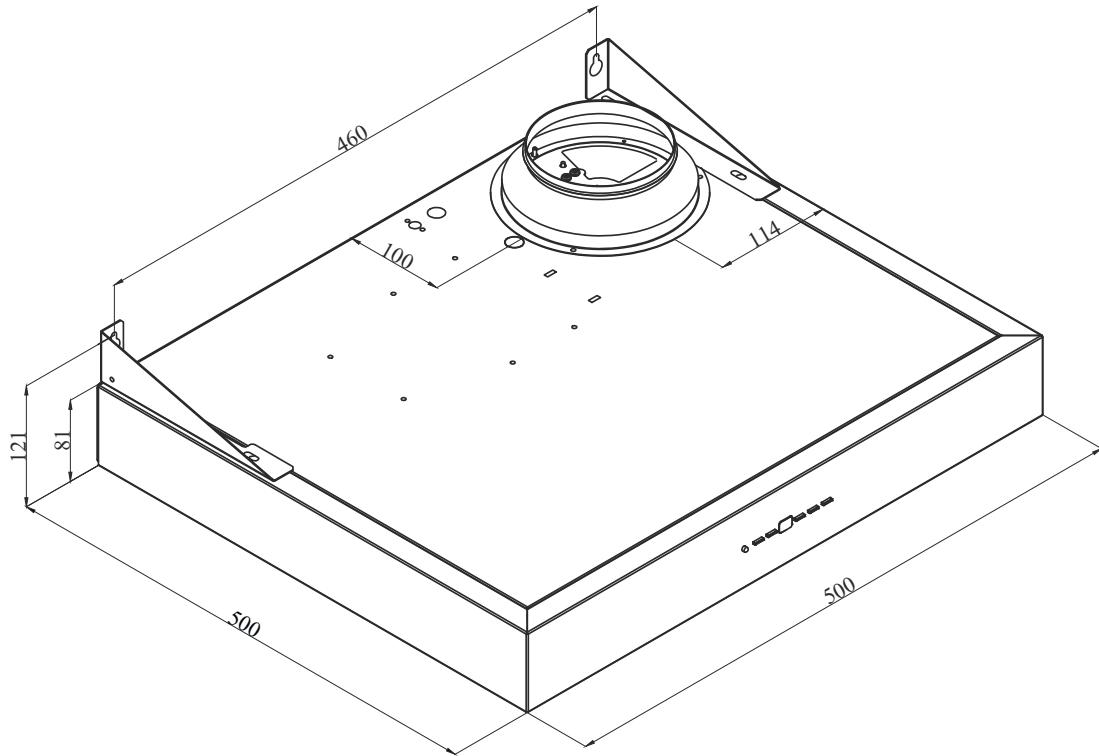


Fig. 2

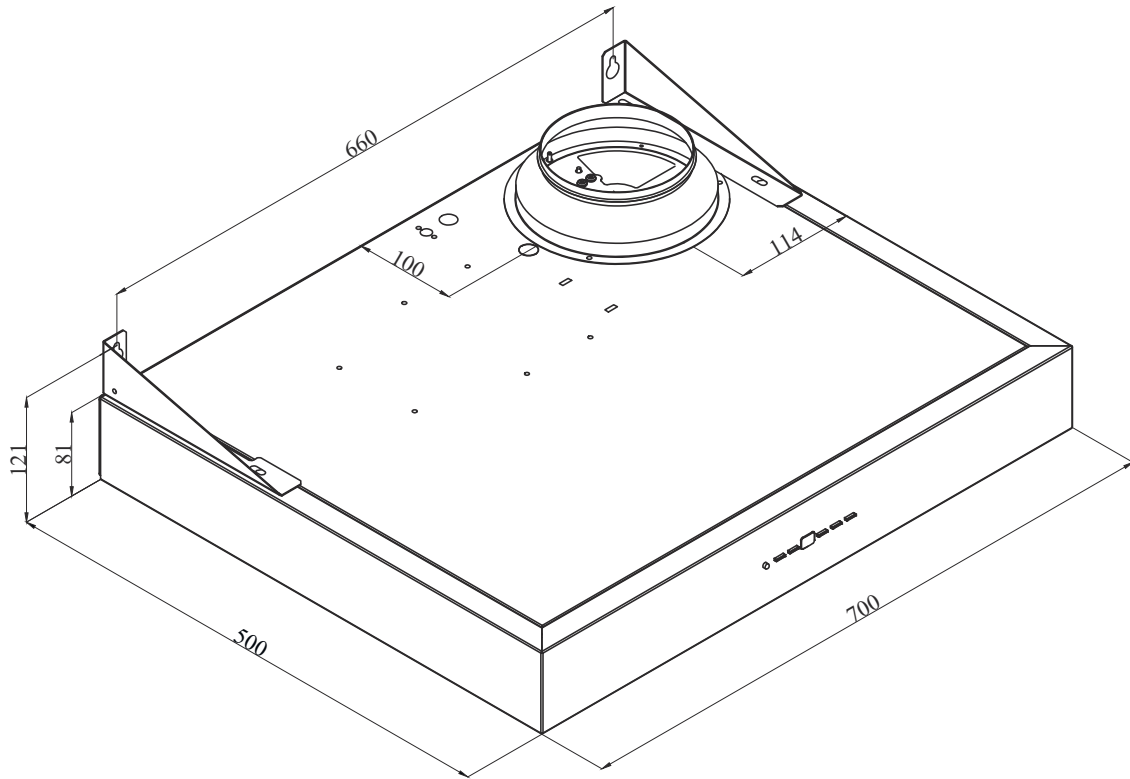


Fig. 3

3 WARNINGS AND SAFETY PRECAUTIONS

WARNINGS AND SAFETY PRECAUTIONS

- This product may only be used by children and persons without physical, sensory or mental deficiencies or no experience and knowledge when supervised or instructed in safe use. The product is intended for household use.
- The voltage of the product is 220-240 Volts ~ 50 Hz.
- The hood is mounted with a cable with a ground wire. This cable must be connected to a grounded electrical outlet.
- All electrical connections must be made by an electrician.
- Unauthorized installation may result in poor performance, product damage or accidents. The product cable must not be pinched or broken during installation. Do not run down near the stove. This may cause melting and fire.
- Do not connect the product until installation is complete.
- Make sure that the socket is easily accessible, in order to disconnect the product, in case of an emergency.
- Do not touch the product's light bulbs if they have been on for a long time. The light bulbs can get very hot.
- Cooker hoods are designed for use in the home for conventional cooking. If the hood is used for other purposes, the right of complaint may lapse.
- Follow rules and laws issued by authorities on exhaust air emissions.
- Food that can be ignited (open flame) during cooking must not be prepared under this product. Start the product after placing pans, pots, etc. on the stove. Otherwise, high heat may cause deformation of certain parts of the product.
- Turn off the hobs before removing the cookware from there.
- Do not leave hot oil on the stove. Pans with hot oil can ignite spontaneously and catch fire. Oil can ignite during frying, etc. Be careful with curtains, rugs and the like. Be sure to clean and replace filters on time. Filters that are not cleaned or replaced in time pose a fire hazard due to accumulated grease in them.
- Use only the oral metal grease filters in the hood.
- Do not operate the product without a grease filter. Do not remove filters while the product is in use. In case of fire; disconnect the hood and the cooker. (Disconnect the product or turn off the main power switch). The product may pose a fire hazard if it is not cleaned regularly.
- Disconnect the unit before maintenance work. (Disconnect the product or turn off the main power switch). Under pressure in the room, while hoods and equipment operating on sources other than electricity used simultaneously, must not exceed 4 Pa (4 x 10 bar).
- If there are units used with fuel or gas, such as heating products in the area where the product is used, the flue from these units must be completely insulated or the unit must be airtight.
- Children must not play with the product.
- Use "MAX 13 A" fuse for the product for your safety.
- Keep packaging materials away from children as they may be dangerous to them.
- All materials used for packaging the product are suitable for recycling.

- Follow the instructions on the product box during transport.
- Hold the handles on the side of the box to carry the product.

If you need to transport the item again:

- Keep the original box. Carry and ship the product in the original box and condition. If the supply cable is damaged, it must be replaced by the manufacturer or its service department or other personnel with equivalent qualifications to avoid dangerous situations. In the event of a fire, disconnect the cooker hood and stove and cover the flames. Never use water for extinguishing.
- Available parts may be hot when the cooker is switched on.
- Make sure that the cooker hood has the correct height above the hob, read the recommended height in the manual. Ask if necessary, fire authority in your municipality about local laws and regulations for this
- The hood's exhaust must not be connected to exhaust ducts that include other smoke products.
- Care must be taken when using the cooker hood at the same time with units that use air and fuel (eg heating products, water heaters operating on gas, diesel, coal or wood). This is because it can reduce combustion as the hood emits air from the room.
- The room must have adequate ventilation when the stove, cooker hood and units operating on gas and other fuels are used at the same time Different materials require different rawl plugs and screws. Use rawl plugs and screws that fit the material the hood is to be mounted in.

4 DANGER TO LIFE & RISK OF POISONING



Fig. 4: Risk of poisoning

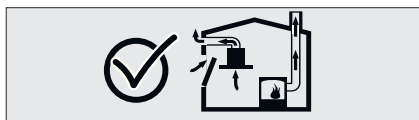


Fig. 5: Proper ventilation



DANGER!

Risk of poisoning due to combustion gases. Unless adequate air supply is ensured, the unit must not be used at the same time as appliances that emit toxic gases, such as stoves, burners, water heaters, etc., that operate on circulating air gas, fuel, wood, or coal.

Air circulation devices (eg stoves, burners, water heaters operating on gas, oil, wood or coal) take the combustion air and send the exhaust gases through a chimney or similar. A cooker hood with a strong effect will risk being able to reverse this air flow and thus draw the exhaust gases through the home and out through the cooker hood's exhaust duct. This poses a risk of poisoning to persons staying near this airflow (Fig. 4).

Therefore, adequate intake of fresh air should always be ensured.



DANGER!

Fire Hazard!

If the device is not cleaned in accordance with the cleaning instructions, it may cause a fire as grease may accumulate in the hood which may be flammable.



DANGER!

Risk of electric shock!

Due to damaged connection cable. Avoid breaking or pressing the connecting cable during installation.



DANGER!

Risk of injury!

- There is a risk of damage during installation due to sharp edges. For safety reasons, use work gloves when fitting the hood.
- All screws and bolts must be fitted as described in the operating instructions, as otherwise there may be a risk that the hood is not fastened sufficiently and thus may fall down.

**DANGER!****Risk of burns & danger of electric shock!**

- Wait until the unit has cooled down before cleaning or maintenance. Disconnect the fuse or disconnect the device from the mains.
- There is a risk of damage due to seepage of moisture into electronic parts. Never clean the control panel with a damp cloth but with a damp cloth.
- Surface may be damaged due to improper cleaning. Clean stainless steel surfaces only in the direction of brushing. Do not use stainless steel cleaners for the control panel.
- Surface can be damaged by sharp or scrubbing cleaners. Never use sharp or scrubbing cleaners.

Disconnect the fuse or disconnect the device from the wall socket in the event of a fault or damage to the product. Repairs should always be performed by an authorized or approved specialist.



In the event of a fault or damage to the device, disconnect the fuse or disconnect the device from the wall outlet and call for authorized service.

If the supply cable is damaged, it must be replaced by the manufacturer or its service department or other personnel with equivalent qualifications to avoid dangerous situations.

When light bulbs in the unit are damaged, remove the fuse or disconnect the unit from the mains. To avoid overloading the other bulbs, replace the defective one immediately (wait until the bulb has cooled down).

**CAUTION!**

When the product is used over stoves, accessible parts may become hot.

**DANGER!**

Exhaust fumes from the hood must never be connected to the chimney from the stove or other exhaust ducts used to expel potentially toxic or hot gases / gases.

5 CLEANING AND MAINTENANCE



WARNING!

Cleaning and maintenance must not be performed by unattended children.

Surface can be damaged by sharp or scrubbing cleaners. Never use sharp or scrubbing cleaners. Obtain cleaning agents that are suitable for use with the hood. The surface and controls of the device are sensitive to scratches.

Clean the surfaces with a soft, damp cloth, dish washing liquid or a mild glass cleaner. Soften dried and overgrown dirt with a damp cloth. Do not scratch!

The use of dry cloth, scratch-resistant sponges, rubbing-cleaning agents, cleaning agents containing sand, soda, acid, chlorine or other strong materials are not appropriate. These can damage the product.

Clean brushed steel, only in the direction of brushing.

Do not use stainless steel cleaner on glass and control panel.

Brushed steel **MAY NOT** come in contact with detergents. Grease and oil must be removed with a damp wet cloth or special steel care product. Improper maintenance can provoke rust, IR or other marks on the surface. The right of complaint may lapse in the event of incorrect maintenance.

GREASE FILTERS

Cleaning grease filters: During normal use (1-2 hours daily), grease filters should be cleaned approximately once a month. Do not use too strong, acidic or chlorine-containing cleaners.

NB: Grease filters can discolour after washing, which is perfectly normal. This does not impair the ability of the filter.

Wash in the dishwasher

When washing dishes, a slight discoloration may occur. This has no effect on the function of the grease filter and therefore does not require replacement of the grease filter. Do not wash very dirty grease filters with other dishes. Place the grease filters in the dishwasher lying down or standing free. Grease filters must not be too close to the dishwasher.

**Dishwasher program**

Grease filters must be washed for max. 55 degrees in the dishwasher!

CAUTIONS:

Grease filters can be damaged by washing in the dishwasher above 55 degrees.

Sink

You can use a special oil solvent to remove stubborn dirt. You can get this solvent from an authorized dealer. Soften the grease filters in warm water with dish soap. Use a brush for cleaning and continue until greasy liquid no longer drips out of the filters. Rinse the filters well after cleaning.

6 The content of the package

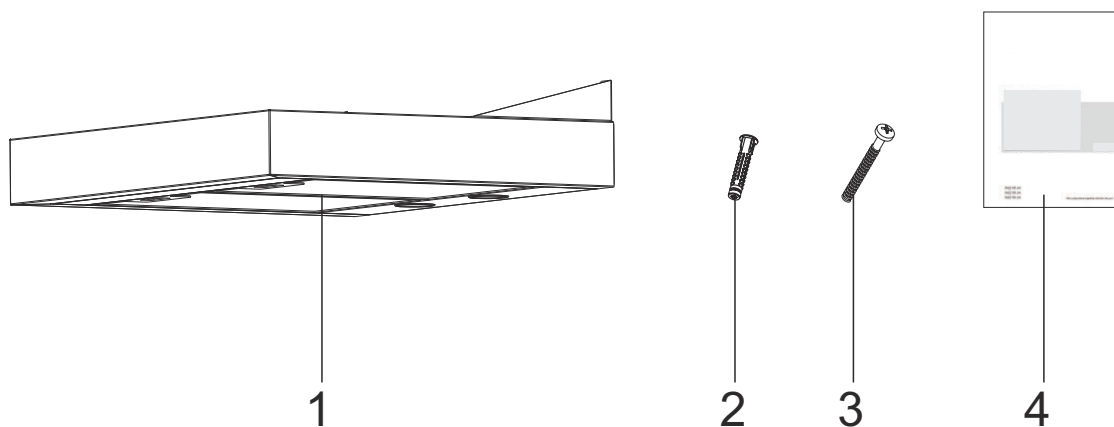


Fig. 6

- 1- Product
- 2- 2x Ø10 mm Rawplugs
- 3- 2x 5.5x60 Screw
- 4- User Manual

7 Assembly / Installation of the product

7.1 Height (recommended)

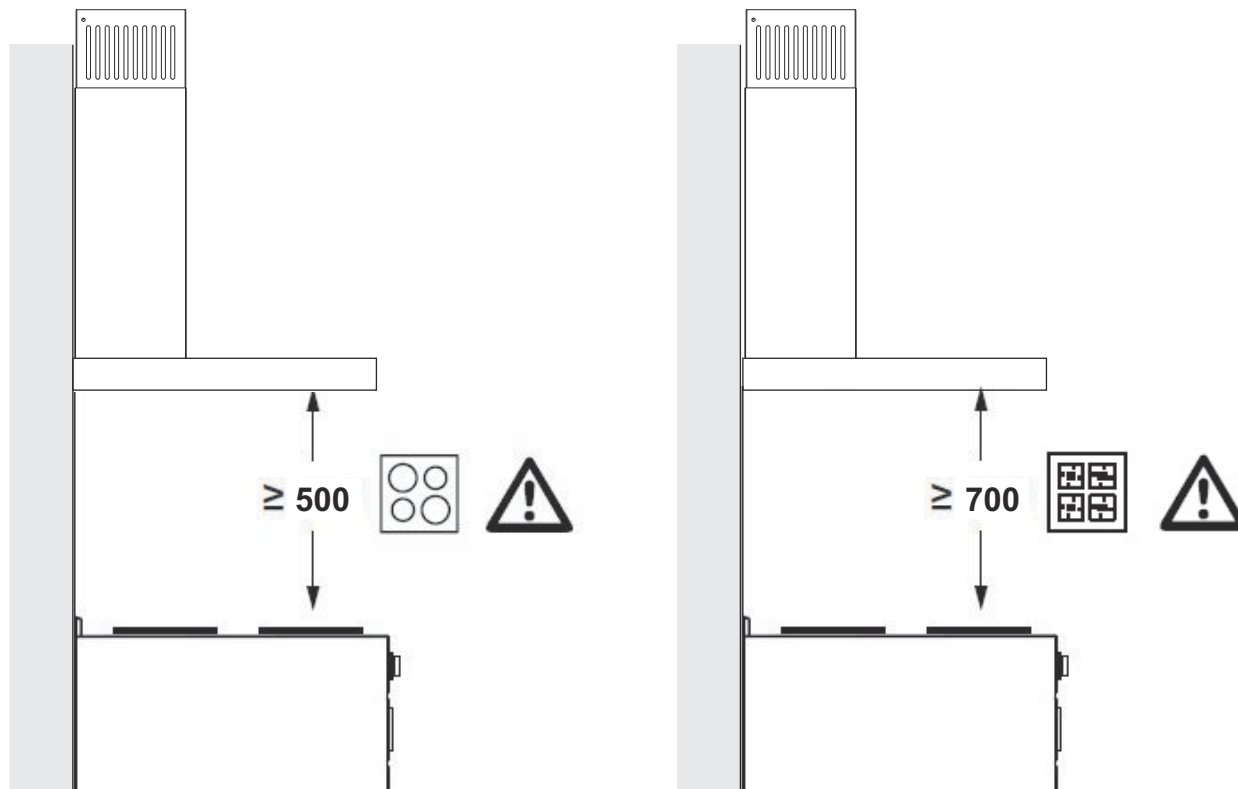


Fig. 7: Assembly / Installation of the product

Make sure that the cooker hood has the correct height above the hob, we recommend ml. 500- 650 mm above by electric hob and 700 - 850 mm above gas hob (). (Fig. 7).

Raw plugs

Different materials require different rawplugs and screws. Use rawl plugs and screws that fit the material the hood is to be mounted in.

Vent

We recommend the use of a muffler (see possibly under accessories at www.silverline.dk) at the hood to dampen the air noise in the exhaust duct.

We recommend the use of a condensate collector (see possibly under accessories at www.silverline.dk) to avoid back flow of condensed water into the hood's exhaust duct. Condensation collector can only be mounted upright.

8 Installation of hood

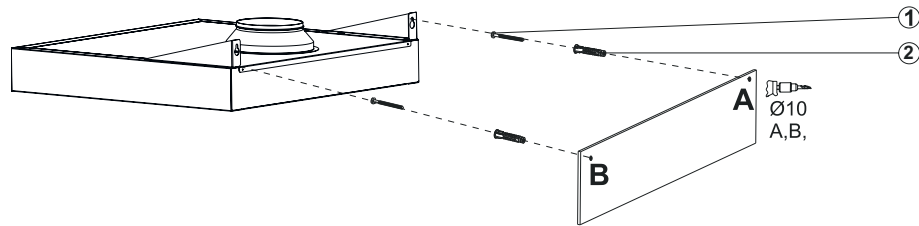


Fig. 8

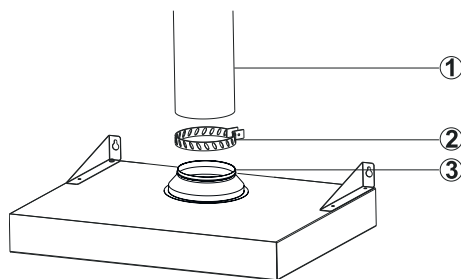
- 1- Exhaust Studs
- 2- 2x 5.5x45 Screw
- 3- Raw plugs 2x Ø10 mm

Place the mounting template to the wall and live in points A- and B.

Raw plugs must be (2) for the holes in points A and B and insert the screws. (1). The distance between the screw head and the wall must be 5mm (Fig. 8).

Hang the hood in the screws at points A and B and tighten the screws.

8.1 Connection of central ventilation



- 1- Flue
- 2- Clamps
- 3- Metal flange

Connect the flue duct (1) down over the flue connection (3). Then tighten the clamp (2) to secure it to the flue (Fig. 9).

Fig. 9

9 Klemens Bağlantısı

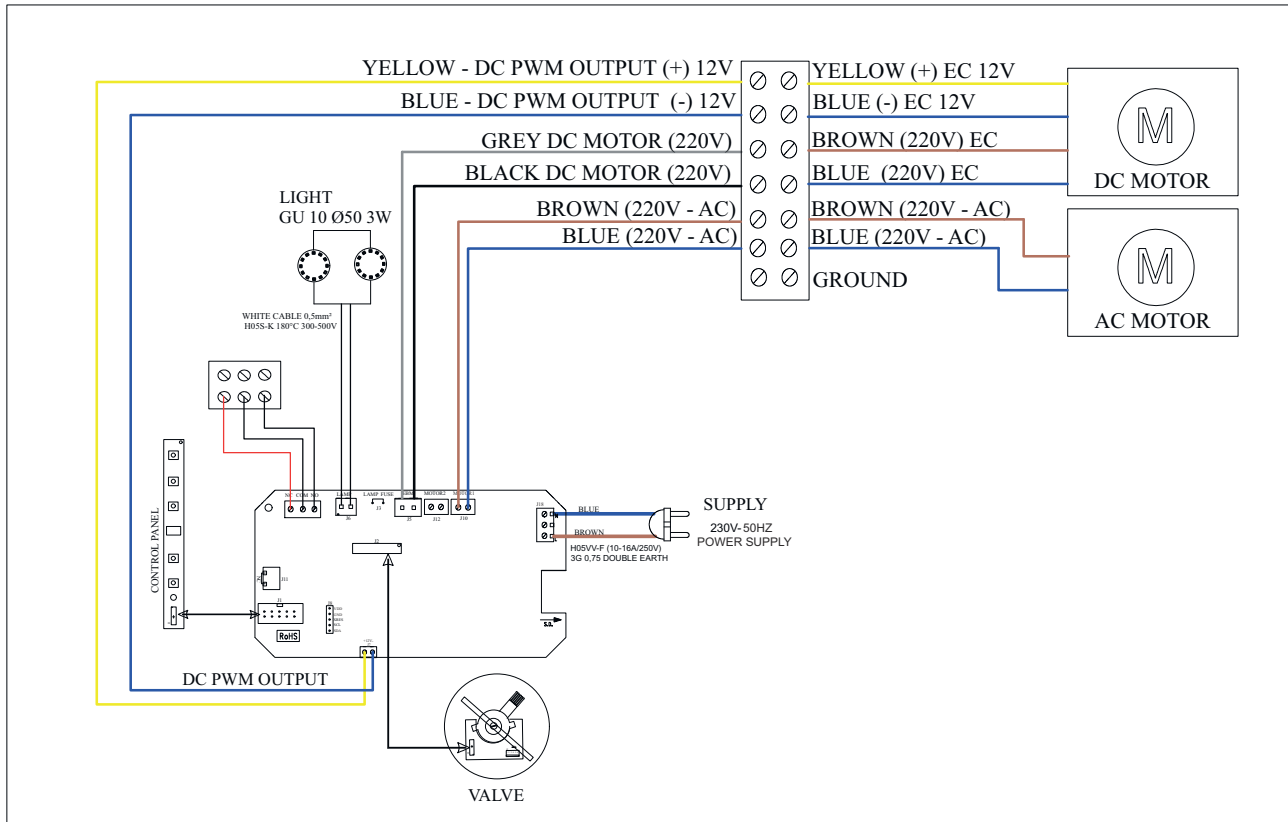


Fig. 10

Connection to external motor

The connection to the external motor must be made based on the type of external motor to be used. AC or DC motor can be connected to the hood. See the diagram Fig. 10

10 Adjustment of air flow

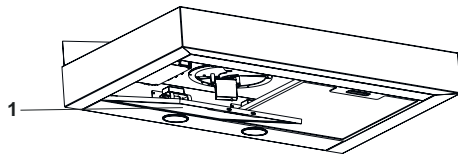


Fig. 11

1 Grease filters

Remove the grease filters (Fig. 11/2).

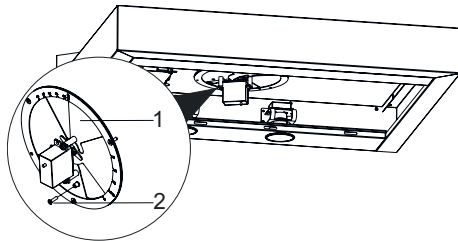


Fig. 12

1- Damper
2- Measuring

To measure the air flow, unscrew the screw (M3X8 YHB) from the measuring socket (Fig. 12/2)

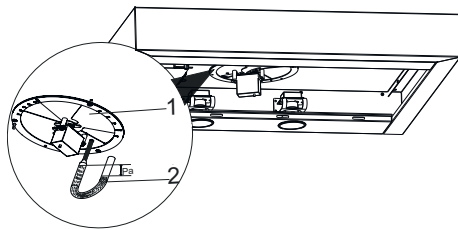


Fig. 13

1- Damper
2- Measuring

Now connect the measuring device to the measuring socket (Fig. 13/2).

To adjust the product to the desired condition, use the setting tables.

Sizing information & Balancing information

	Sizing data (For calculations)	
	50 Pa	100 Pa
Basic ventilation:	20 l/s (72 m ³ /h)	20 l/s (72 m ³ /h)
Pressure	60 Pa	120 Pa
Damper position	G 5.3	G 4.3
Sound pressure (Lpa)	27 dBA	33 dBA
Forced ventilation:	40 l/s (144 m ³ /h)	40 l/s (144 m ³ /h)
Pressure	50 Pa	100 Pa
Damper position	F 5	F 3
Sound pressure (Lpa)	27 dBA	33 dBA

	Balancing data (For installation)	
	50 Pa	100 Pa
Ground ventilation	20 l/s (72 m ³ /h)	20 l/s (72 m ³ /h)
Pressure	60 Pa	120 Pa
Damper position	G 6	G 4.3
Sound pressure (Lpa)	25 dBA	30 dBA
Forced ventilation:	40 l/s (144 m ³ /h)	40 l/s (144 m ³ /h)
Pressure	50 Pa	100 Pa
Damper position	F 5	F 3.3
Sound pressure (Lpa)	25 dBA	32 dBA

The product factory settings are based on 50 pA

Depending on the pressure being measured, the tables must be used to find the points to which the air flow is adjusted. For basic suction, use; (/ for forced suction, use;).



For balancing, the Balancing diagram and data are used:

Balancing diagram for forced ventilation

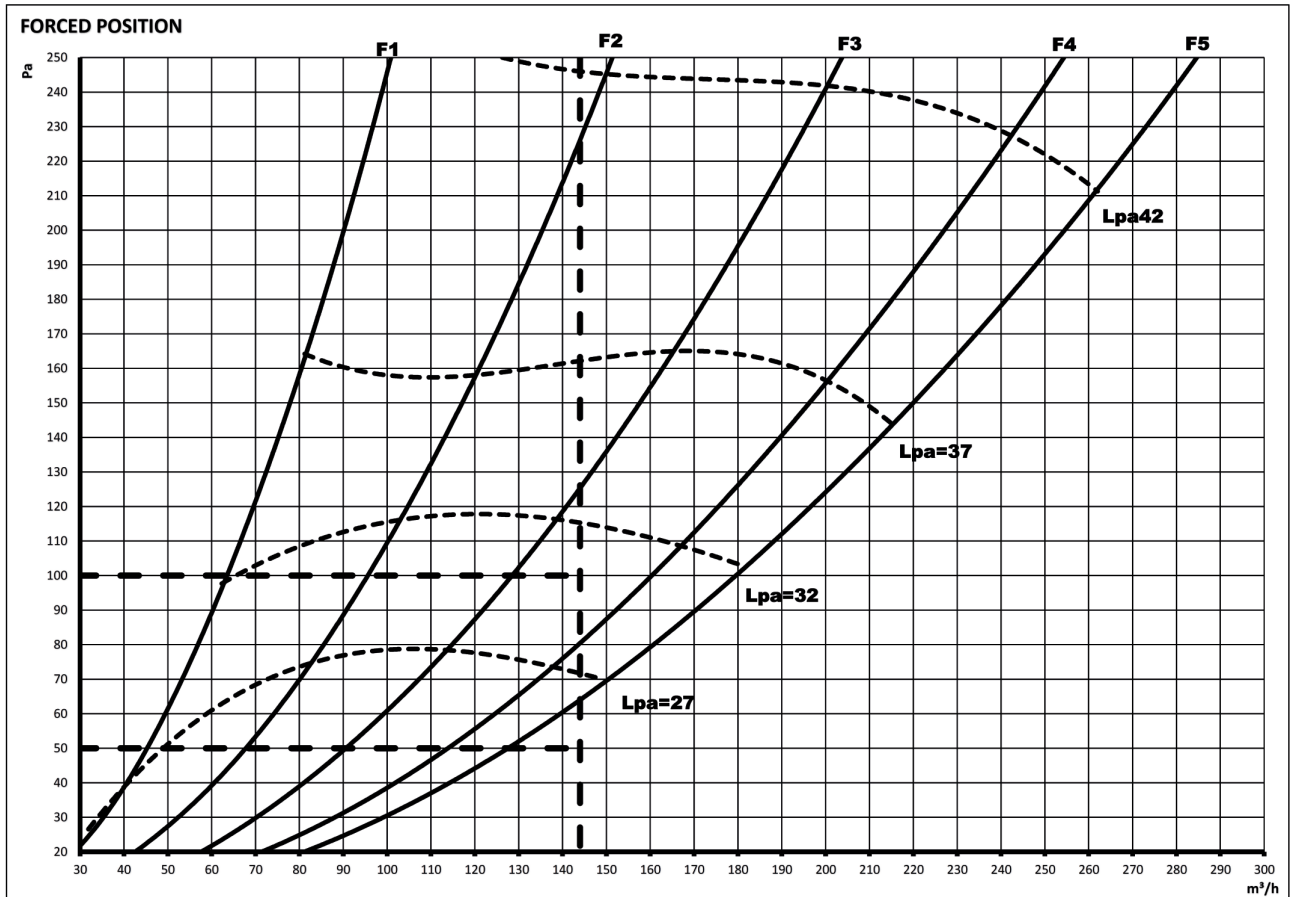


Fig. 14

Balancing diagram for shallow ventilation

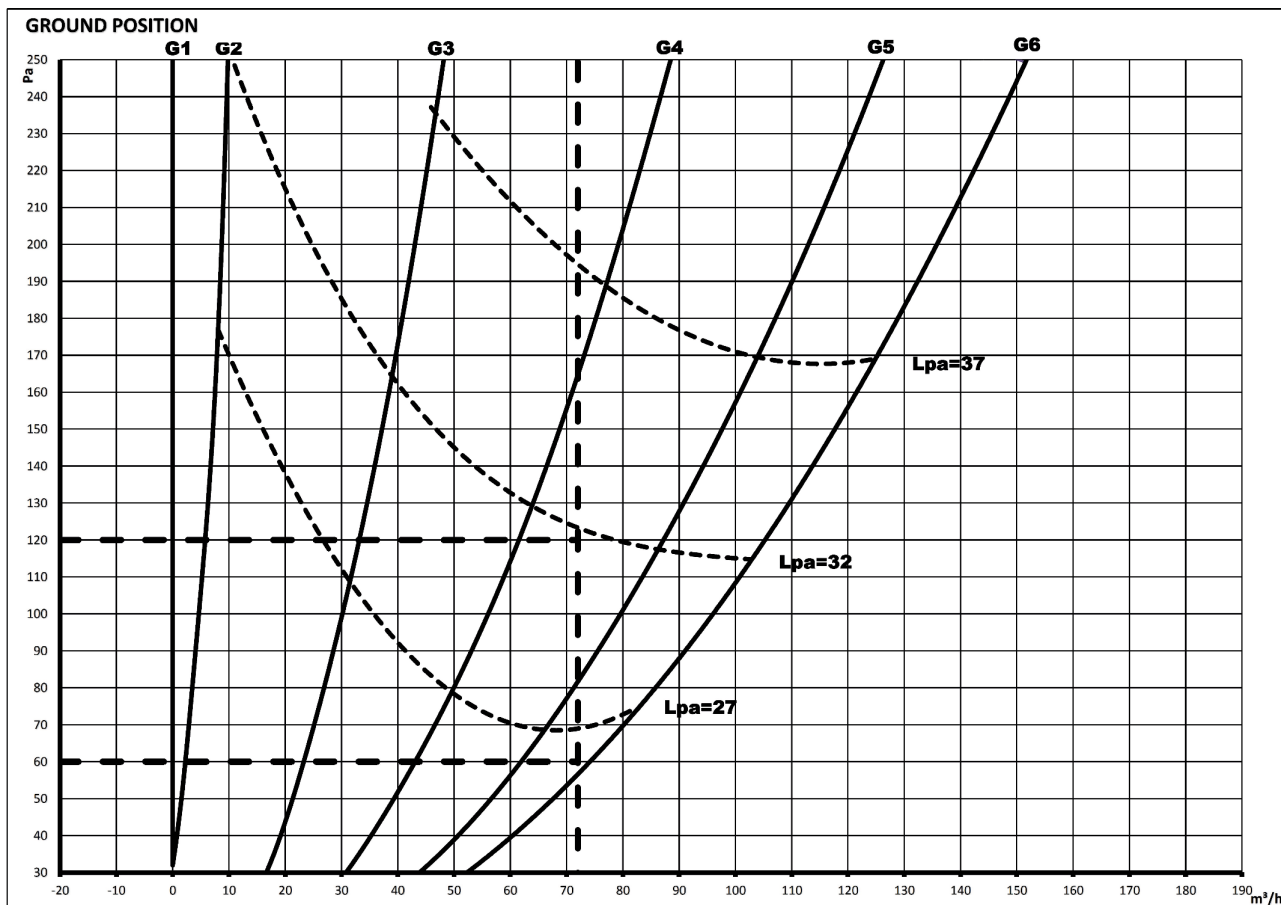


Fig. 15

Lp(A): Sound pressure level db (A) is measured in a room equipped with sound absorption of 10 m² Sabin.

i For calculations, Dimensioning diagram and data are used:

Dimensioning diagram for forced ventilation

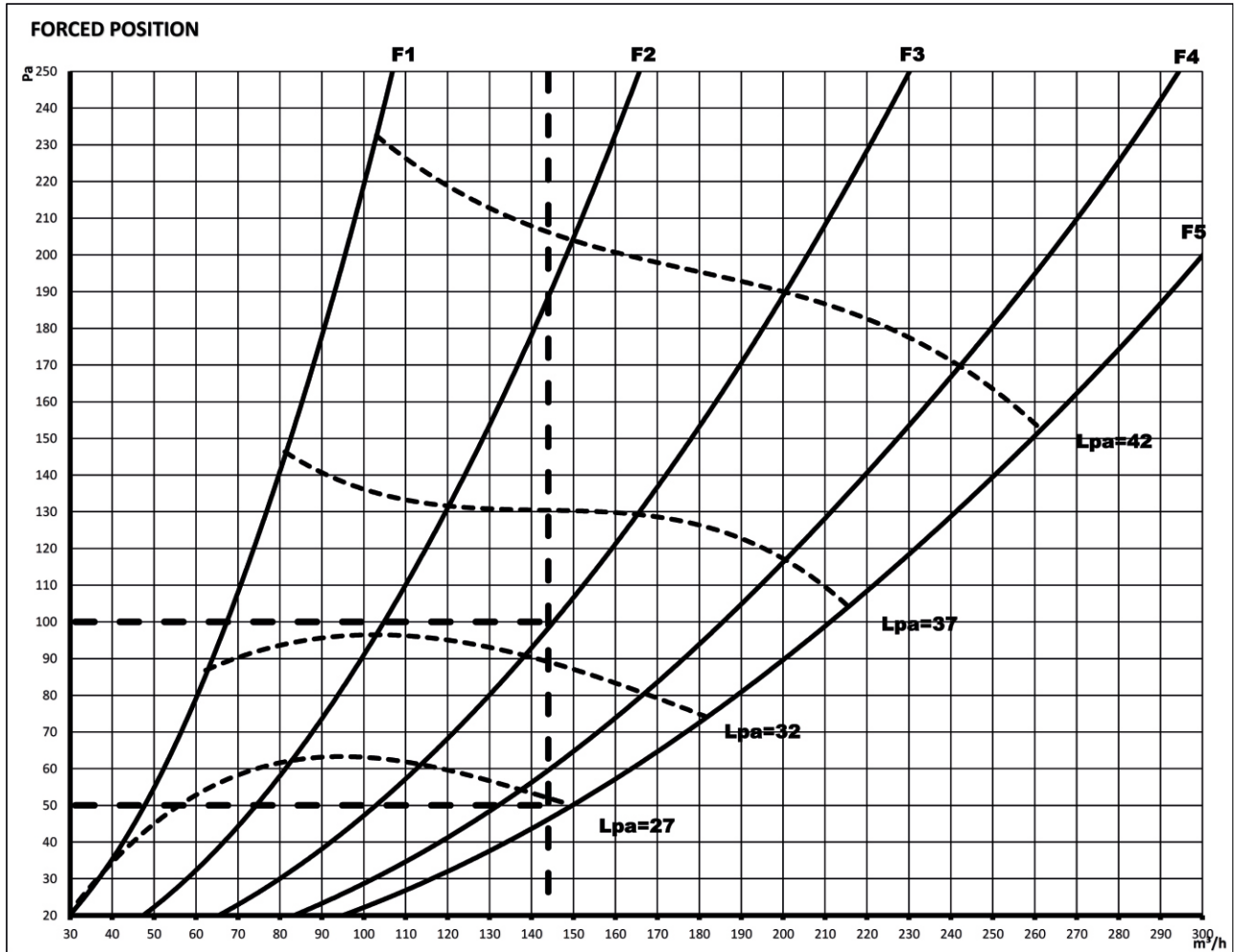


Fig. 16

Sizing diagram for basic ventilation

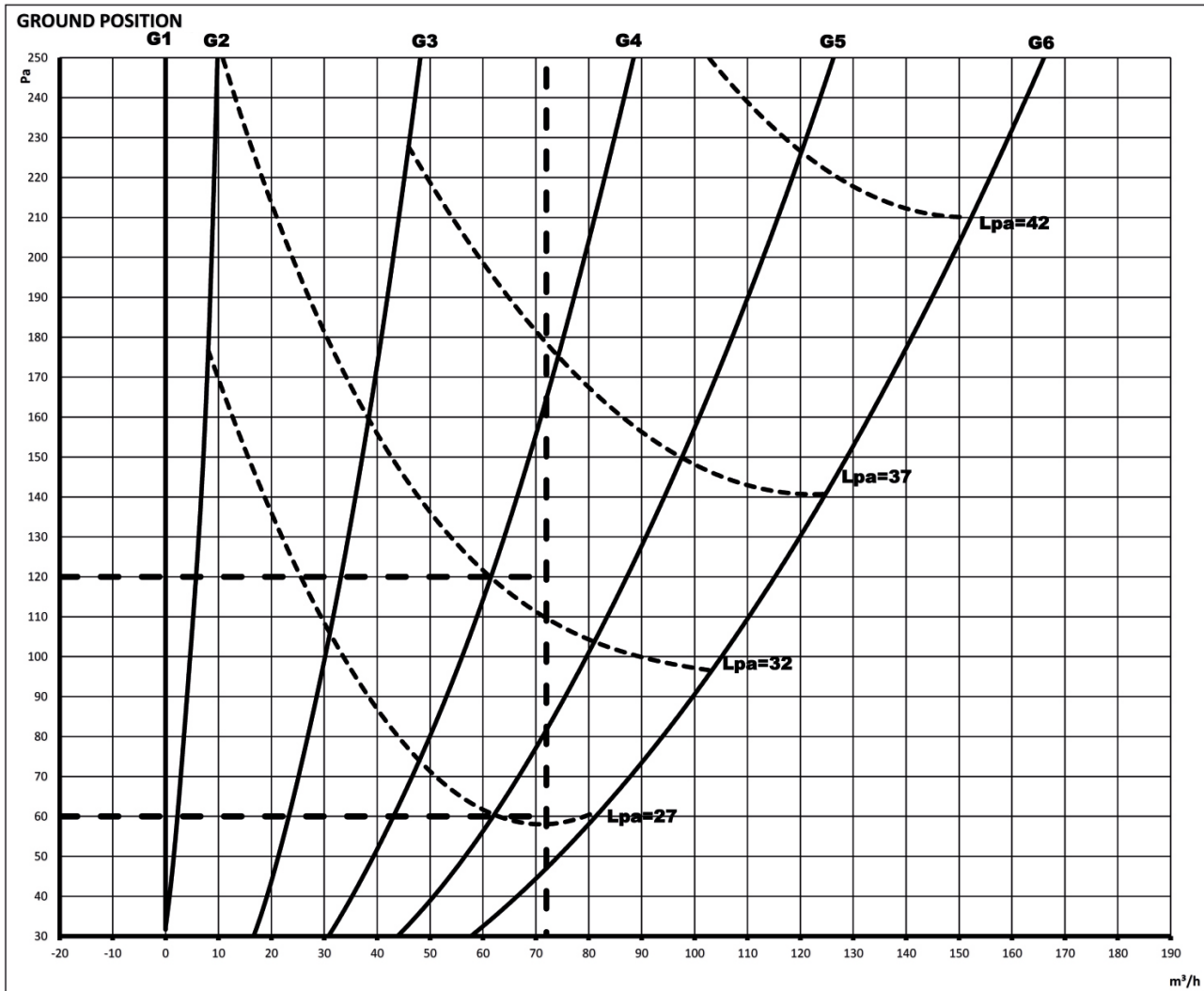


Fig. 17

Lp(A): Sound pressure level db (A) is measured in a room equipped with sound absorption of 10 m² Sabin.

11 How to operate the product

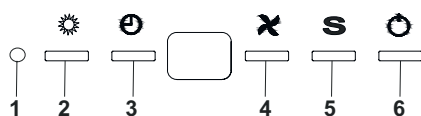


Fig. 18

- 1- LED indicator
- 2- Lighting
- 3- Timer
- 4- Engine level
- 5- Forced position adjustment
- 6- On /off

On /off

By pressing key 6 (On / Off) the damper will open or close.

If the damper is opened, it will close automatically after 60 minutes

Damper adjustment

To adjust the forced position of the damper, press the "S" key for 3 sec. Then "O" and "P" will appear on the screen in order, which stands for "OPEN".

The product is now ready for adjustment in the open position, ie forced position.

By pressing key no. 4, the damper will close more and when you press key no. This is an active part of the program that is 'S' between 3 different basic positions, which is the same as the current one.

You shall exit from the setting mode and the settings made shall be saved to permanent memory if you do not press the buttons "S" and "On/Off" for about 15 seconds in the open position setting mode.

Open Position Levels

1st Level	"O", "P" and "1" shall be displayed respectively
2nd Level	"O", "P" and "2" shall be displayed respectively
3rd Level	"O", "P" and "3" shall be displayed respectively
4th Level	"O", "P" and "4" shall be displayed respectively
5th Level	"O", "P" and "5" shall be displayed respectively



Open position of the air flow mechanism may be set in 5 different levels. It is set as the 5th level as default.

Lamp Button

This is the On/Off button for lighting. The lightings are illuminated when this button is pressed, and they are turned off when it is pressed again.

Lamp button is also used to set the level of the air duct at closed position. After activating the air duct by pressing the S key for 3 seconds, you shall enter the closed position setting mode by pressing the Lamp button for 3 seconds. "C" and "L" symbols are displayed respectively on the screen, meaning CLOSE.

Desired closed position is selected with the air duct facing down by pressing the Fan button or with the air duct facing up by pressing the Timer button. If the setting mode is active and you shall not make any fine settings, you may press the Lamp key for 3 seconds to save the position and exit the setting mode. You shall exit from the setting mode and the settings made shall be saved to permanent memory if you do not press the Lamp and "On/Off" keys for about 15 seconds in the closed position setting mode.

Closed Position Levels:

1st Level	"C", "L" and "1" shall be displayed respectively
2nd Level	"C", "L" and "2" shall be displayed respectively
3rd Level	"C", "L" and "3" shall be displayed respectively
4th Level	"C", "L" and "4" shall be displayed respectively
5th Level	"C", "L" and "5" shall be displayed respectively
6. Level	"C", "L" and "6" shall be displayed respectively



Closed position of the air flow mechanism may be set in 6 different levels. It is set as the 1st level as default.

Fan Button

This is the speed (rpm) control key. Your appliance shall switch up to the next level (1-2-3-4) whenever you press this button. When you press the fan key on the 4th speed setting, which is the maximum speed, your appliance shall switch back to the 1st speed setting, which is the minimum speed (4-1-2-3...). Appliance switches to off ('0') position when fan key is pressed for 2 seconds.

Timer Button

Timer function shall be activated when you the timer key for 1 second. The speed displayed on the screen (1-2-3-4) starts to flash, and it continues to flash in this way until the timer function ends. If the motor is on when this key is pressed, it shall turn off automatically after 15 minutes. Moreover, if the lighting lamps are on when this key is pressed, they shall turn off automatically at the end of the timer (after 15 minutes), too. However, if the lighting lamps are turned on after pressing this key, they shall not be turned off automatically, you need to turn them off manually. Activation of this key shall not affect the operation of the air duct. If the air duct is on, it shall continue to operate until it is turned off manually or automatically.

Closed Position Fine Setting Mode

If the closed position setting mode of the air duct is turned on and if you have reached the desired level, press the On/Off button for 3 seconds, the LED of the speed key displayed on the screen starts to flash and thus you shall enter the position fine setting mode.

Press the On/Off key for 3 seconds for the second time and save the position if you shall not make any position fine setting.

If you shall make position fine setting, you shall do it before pressing the On/Off key for 3 seconds for the second time. You shall exit from the setting mode and the settings made shall be saved to permanent memory if you do not press the Lamp and "On/Off" keys for about 15 seconds in the open position setting mode.

Open Position Fine Setting Mode

If the open position setting mode of the air duct is turned on and if you have reached the desired level, press the On/Off button for 3 seconds, the LED of the speed key displayed on the screen starts to flash and thus you shall enter the position fine setting mode.

Press the On/Off key for 3 seconds for the second time and save the position if you shall not make any position fine setting.

If you shall make position fine setting, you shall do it before pressing the On/Off key for 3 seconds for the second time. You shall exit from the setting mode and the settings made shall be saved to permanent memory if you do not press the "S" and "On/Off" keys for about 15 seconds in the open position setting mode.

12 Hints

I bought my hood, what should I be aware of?

1. ► We recommend that you connect the hood to power and check its functions before hanging. Here you will possibly, could ascertain an error before the major installation work begins.
2. ► Check the visibility of the hood before setting it up. It could be scratches as well as other marks etc.
3. ► Check that it is the right model with width, color, internal / external motor, etc.
4. ► We recommend a professional for the installation of the hood.

NB: We do not take responsibility for products that have been installed and taken into use where visible defects are found, unless the defect can be proven to originate from manufacturing defects / transport damage.

The hood automatically switches off after 60 min. It is recommended to let it run after cooking, to clean the kitchen of the last remnants of mados and the like.

13 Replacement of GU10 light source

**WARNING!**

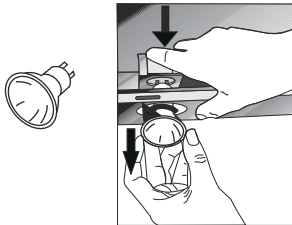
Disconnect the hood's power supply. Let the lamps cool down first as they will be able to burn your hands when hot.



The icon indicates the maximum permissible wattage of the light source. The product must therefore be used with 2 x max 50w GU10 light sources



To find out how many watts of power the product's light sources are on, this can be found inside the product on the serial number label.



To remove the light sources, the grease filters on the hood must be removed first. Then gently press the socket from behind and down, and at the same time grasp the bulb and turn it counterclockwise to release them (Fig. 19).

Fig. 19: Fig 25: Replacement of GU10 Light Source

14 Service, fault symptoms and solutions

Are there any challenges with the product?

Before calling a service technician

Make sure that the appliance is connected to power and that the fuse has not blown. Do not do anything that could damage device.

Read below **FAQ**(frequently asked questions) at www.silverline.dk to find answers and solutions. Before calling a service technician, check the hood based on the following points:

Service, fault symptoms and solutions

Fault description	Cause	Remedy
No life in the product?	Power, Loose connection, Defective spare part.	Check if the product is connected to the correct power (220 - 240 V), Check if any wires are loose. Spare part must possibly be replaced.
No life in the light source?	Power, Loose connection, Defective light source.	Check if the product is connected to the correct power (220 - 240 V), Check if any wires are loose. Check if the light source is defective (replace if necessary).
The product makes noise, The product does not suck enough, The product sucks constantly?	See: Air noise and Suction * on the following pages.	See: Air noise and Suction * on the following pages.
My grease filters are discolored?	Filter cleaner in dishwasher.	When cleaning grease filters in the dishwasher, it is perfectly normal for the filters to discolour. This has no effect on their function. (See possibly chapter 7 Cleaning and maintenance)

If the problem persists, contact your dealer or JG Nordic Silverline www.jgnordic.com / www.silverline.dk You can get spare parts from your local dealer or an authorized service technician. The required serial no. is inside the hood or on the packaging. Always remember to give this number, along with the model type, when ordering service or parts. Creation of service case can also be done via. www.jgnordic.com / www.silverline.dk under the field "Service form".

NB:

- - When ordering service on the product, the product must be available to the installer. Products that are enclosed / insulated must be made freely available before the fitter arrives.
- When ordering service for the product, the product must be cleaned before the fitter arrives.
- When ordering service for the product, electricity must be available in the home to be able to connect the product.

Air Noise and Suction *

1. **Basic** The damper in the hood is from the factory is preset to be able to close and open to min. and max. In some constructions, there is a legal requirement for a min suction of 72 m³ / h, which is why the damper cannot close completely. This causes a slight buzz from the product, which is completely normal.
2. **Grease filter.** Remember to maintain the filters for optimized suction and noise. The grease filters must be cleaned regularly, otherwise they will result in a reduced power until they are cleaned again.

In our quest for product improvements, JG Nordic - Silverline reserves the right to change product specifications without notice.

- JG Nordic - Silverline reserves the right to make printing errors in this manual. Note that the user manual may be valid for several models, therefore sections may be mentioned that do not apply to your particular model.

14.1 Technical table

Supply voltage	220 - 240 V 50Hz
Insulation class for motor	F
Insulation class	CLASS I